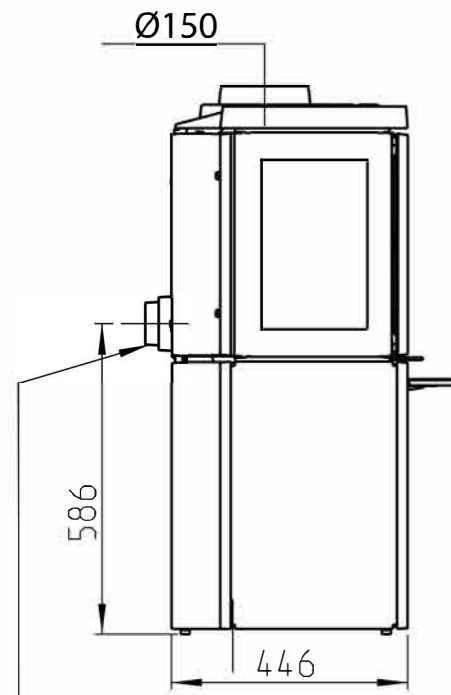
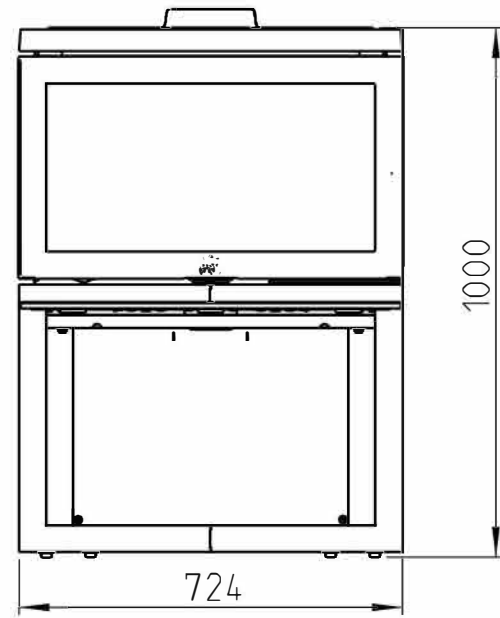


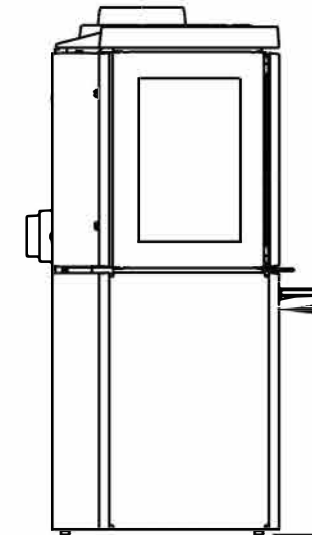
Jøtul F 620 B



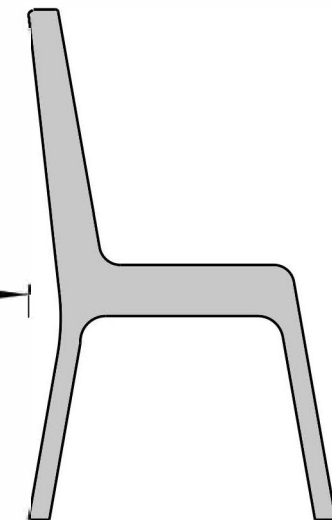
Minimum distance to ceiling



2200



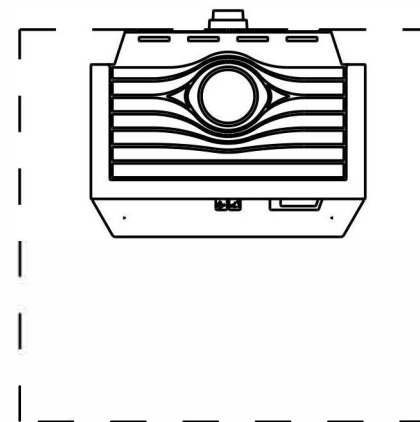
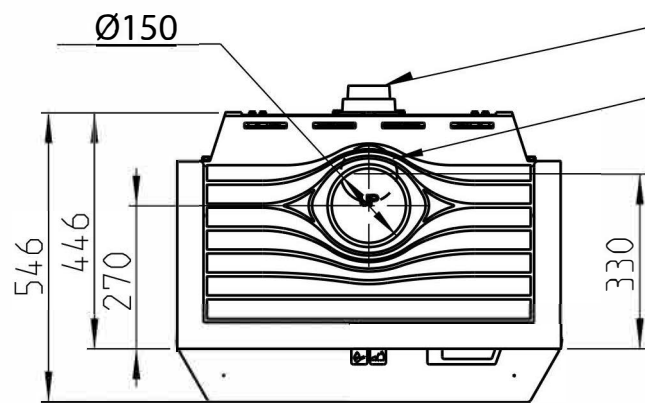
1000



Minimum clearance
from furniture/
combustible materials

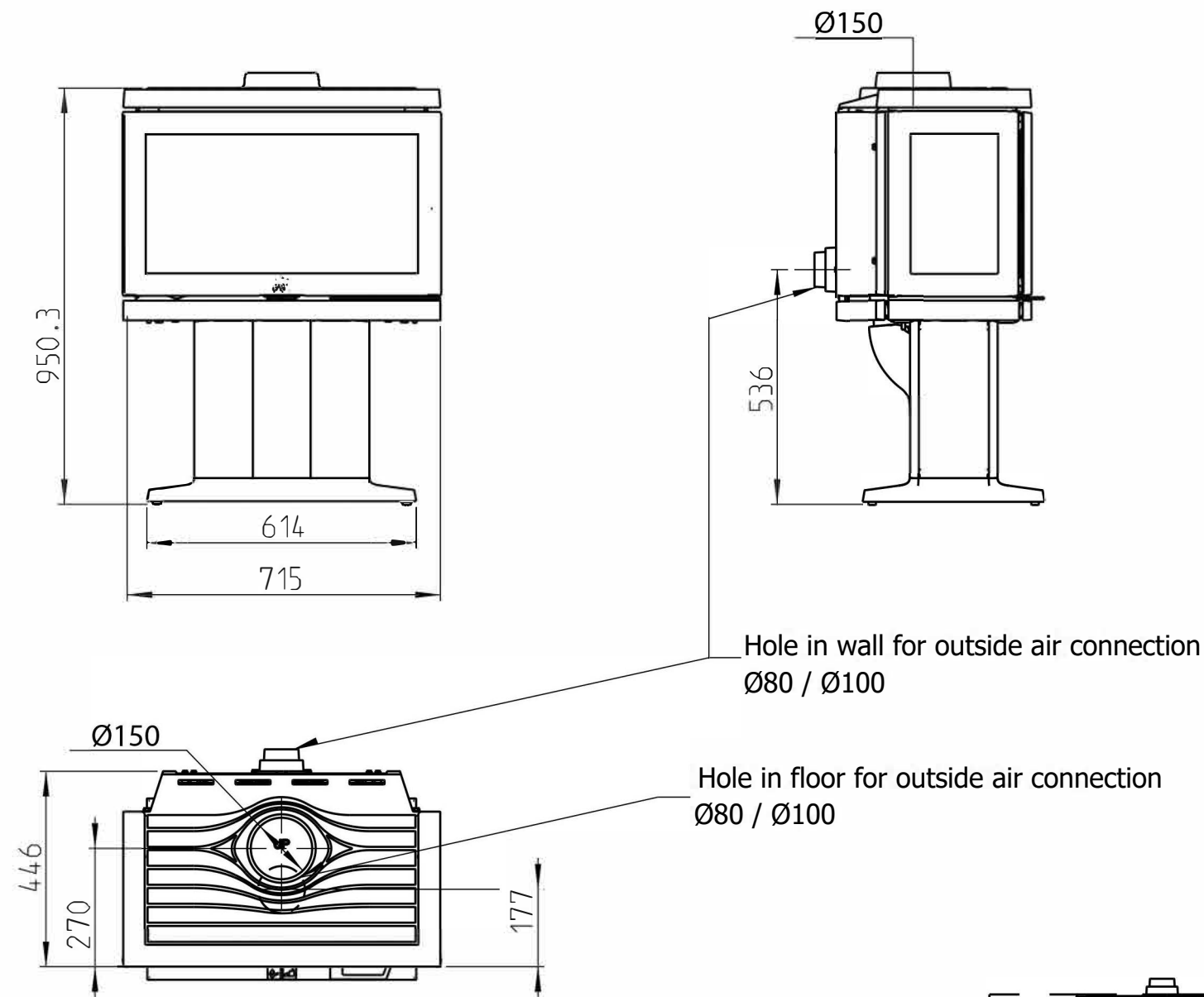
Hole in wall for outside air connection Ø8Ø / Ø10Ø

Hole in floor for outside air
connection Ø8Ø / Ø10Ø



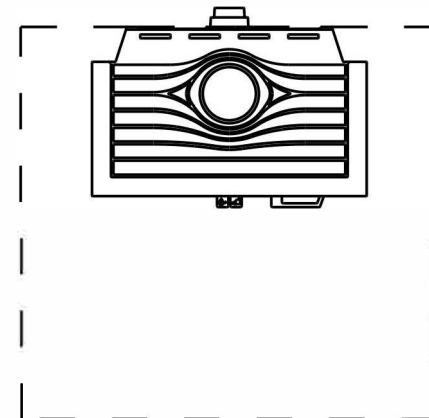
Min. dimensions for floor plate
X / Y = in compliance with national
laws and regulations

Jøtul F 620 P

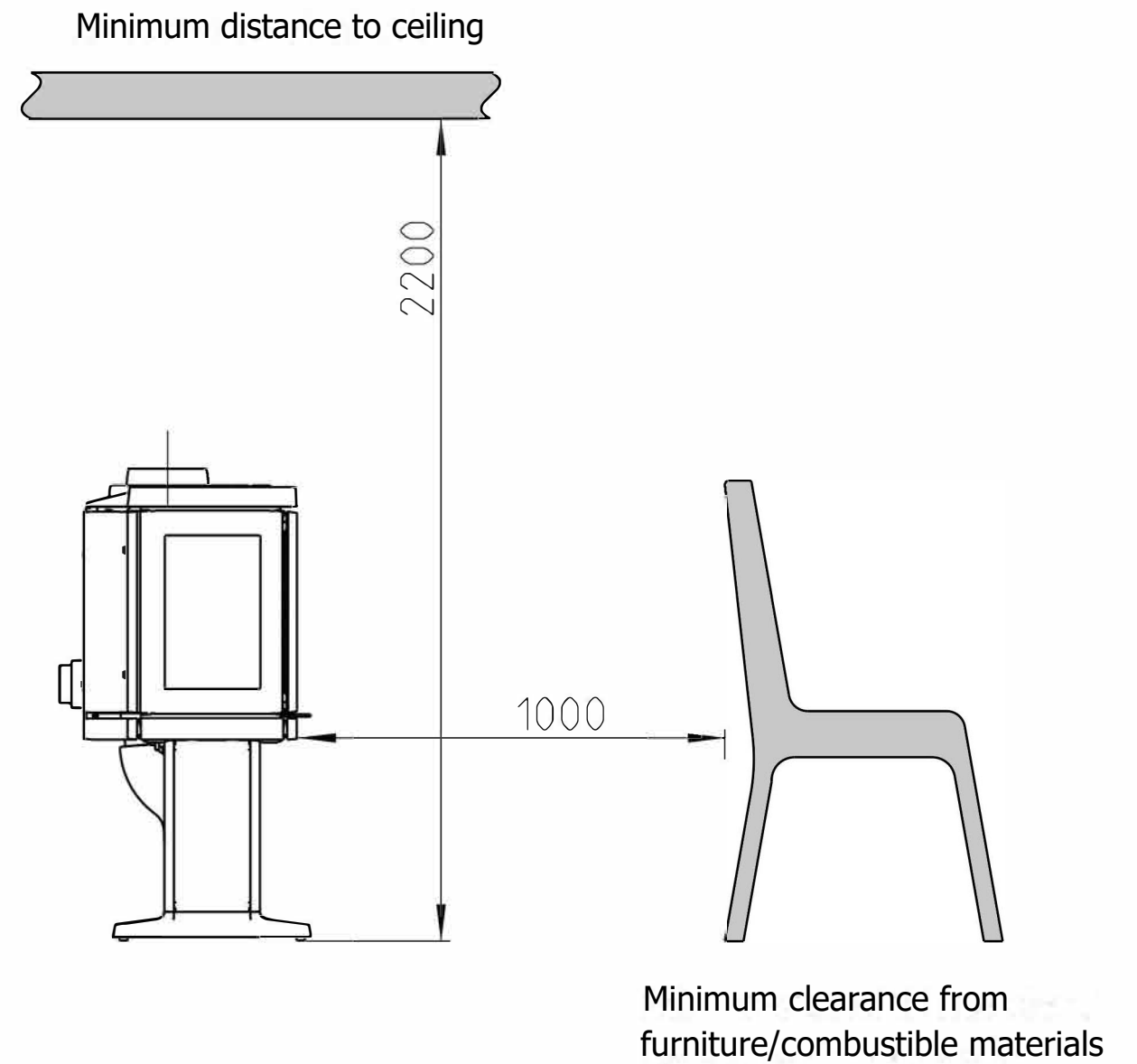


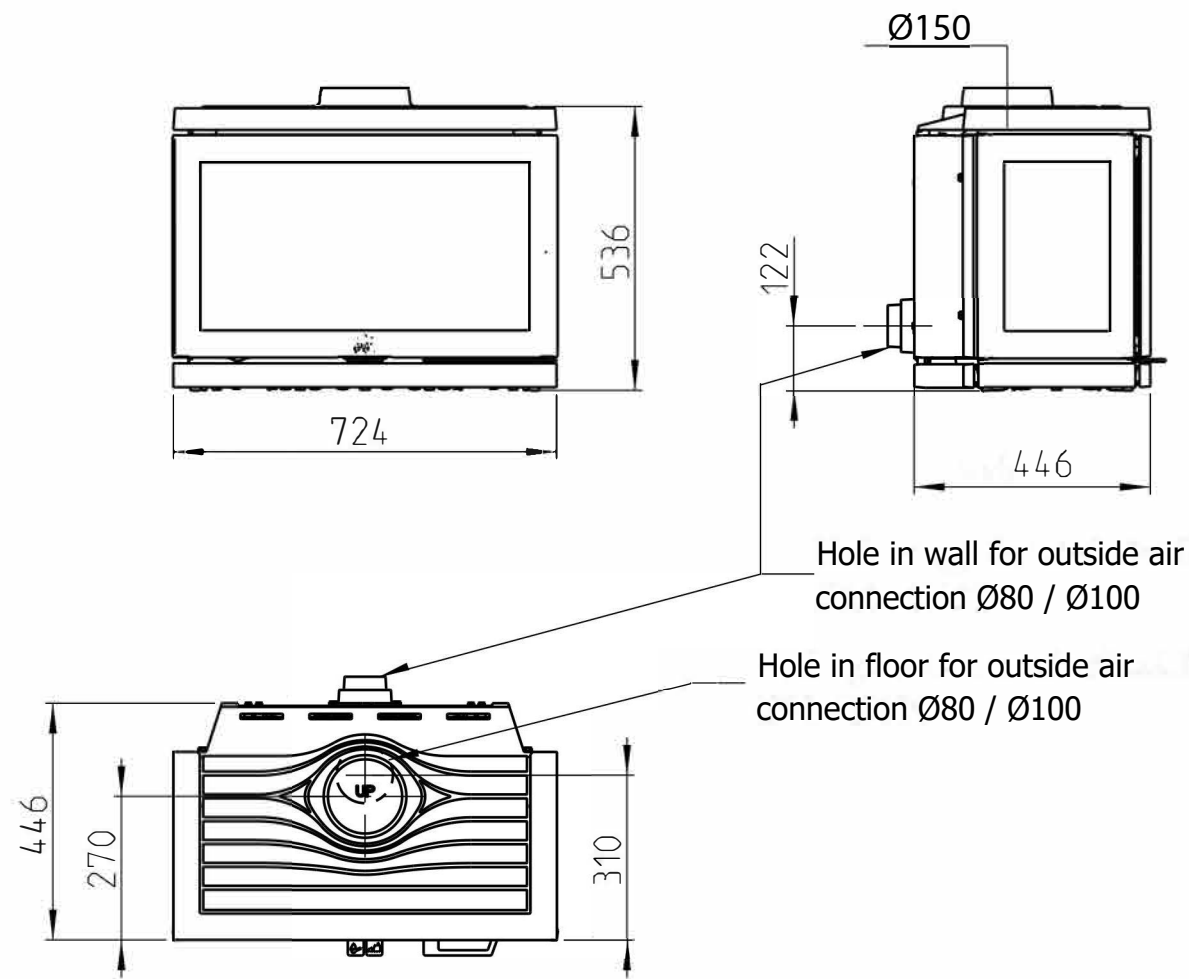
Hole in wall for outside air connection
 $\text{Ø}80 / \text{Ø}100$

Hole in floor for outside air connection
 $\text{Ø}80 / \text{Ø}100$

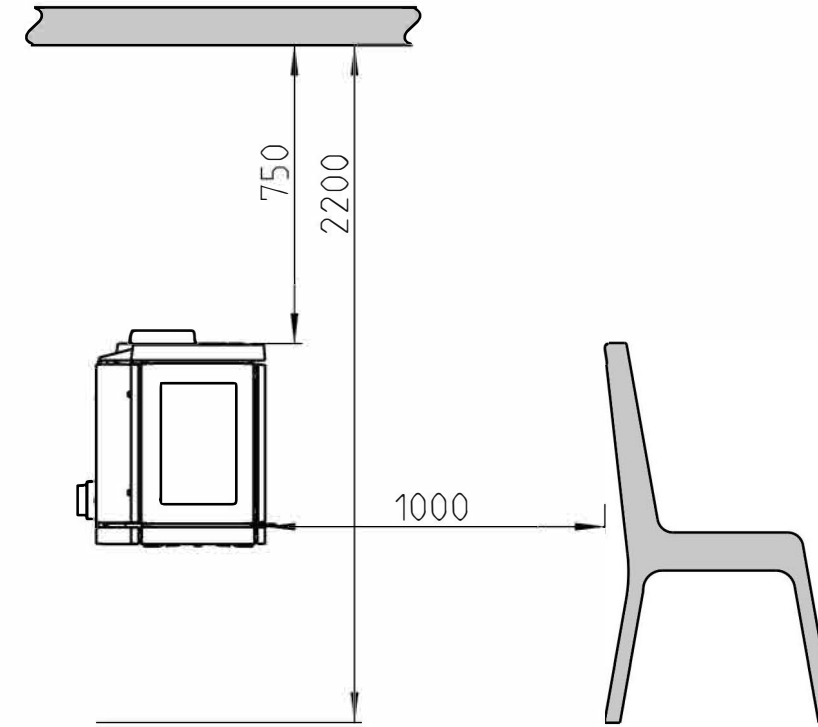


Min. dimensions for floor plate
X/Y = in compliance with national laws
and regulations

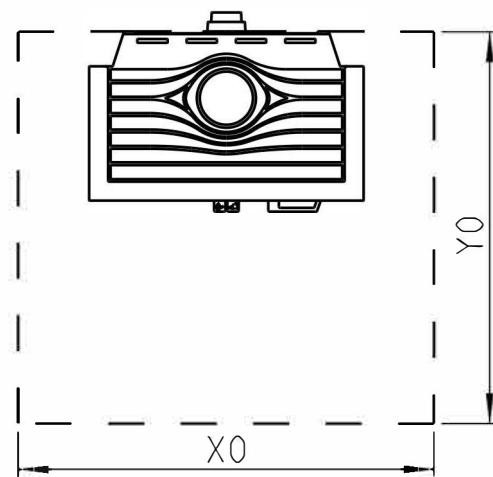




Minimum distance to ceiling

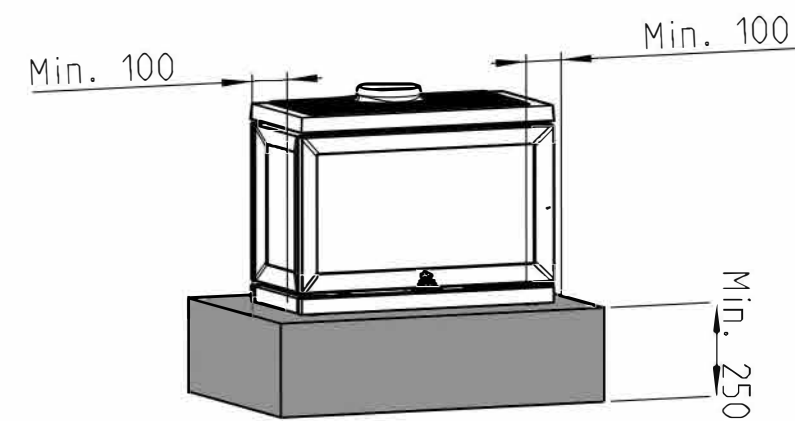


Minimum clearance from furniture/combustible materials

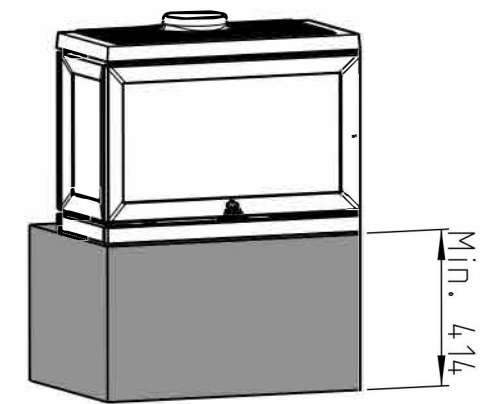


Min. dimensions for floor plate
X/Y = in compliance with national laws and regulations

Min. dimensions of base



Min. dimensions of base with extended side



Min. dimensions of base

F 620: Minimum distance to combustible wall

With semi-insulated chimney/shielded flue pipe all the way down to the product

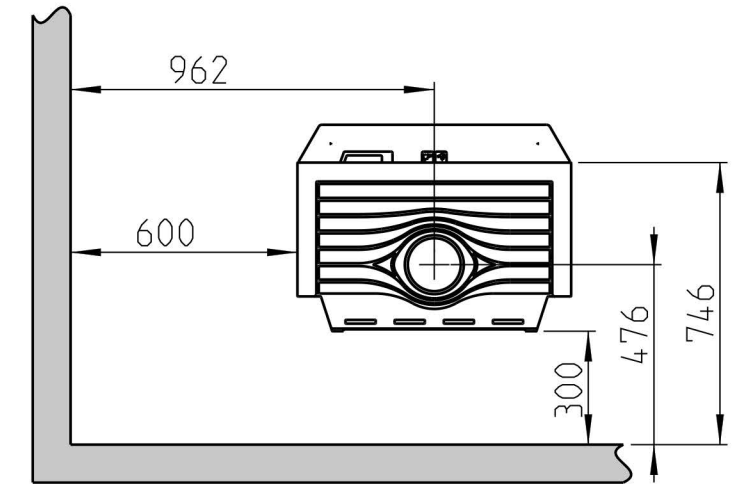
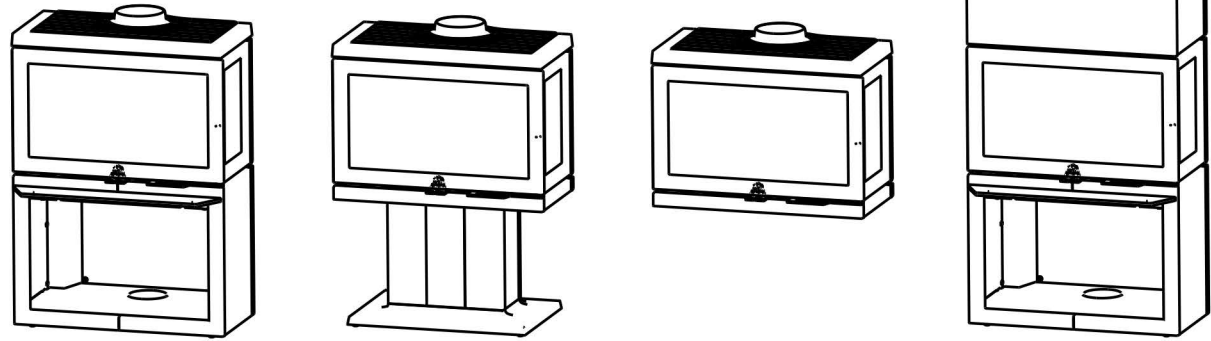
 Combustible wall

F 620 B

F 620 P

F 620 LB

F 620 B HT

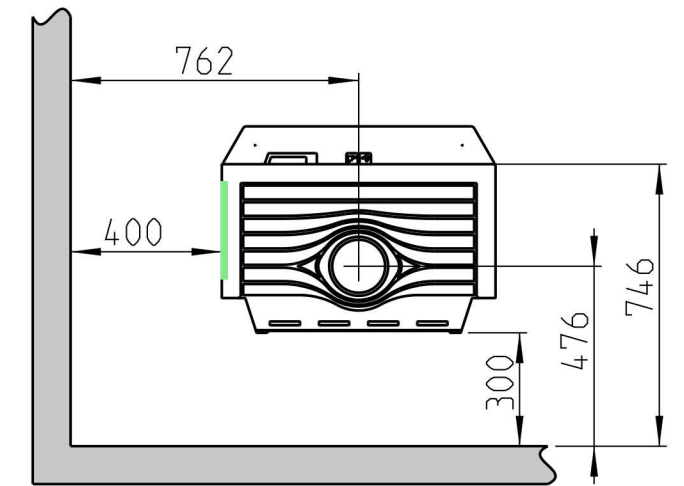
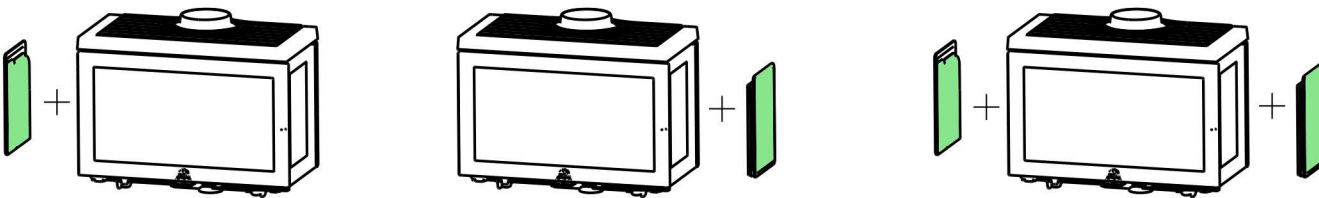


F 620 B / F 620 P / F 620 LB / F 620 B HT
- With retrofitted cast iron side

FR

FL

F



F 620 B / F 620 P / F 620 LB / F 620 B HT
- With retrofitted cast iron side and convection kit side
- With retrofitted convection kit rear

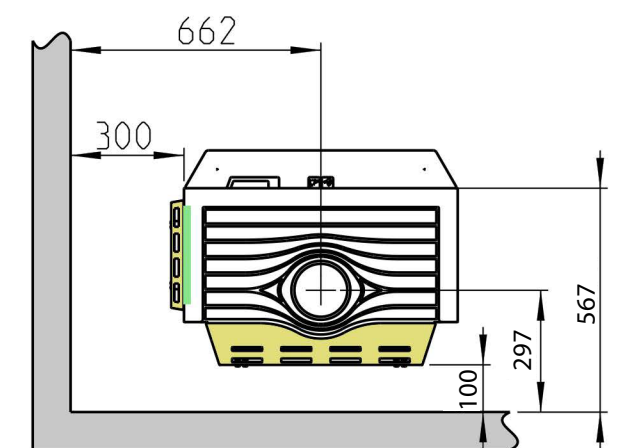
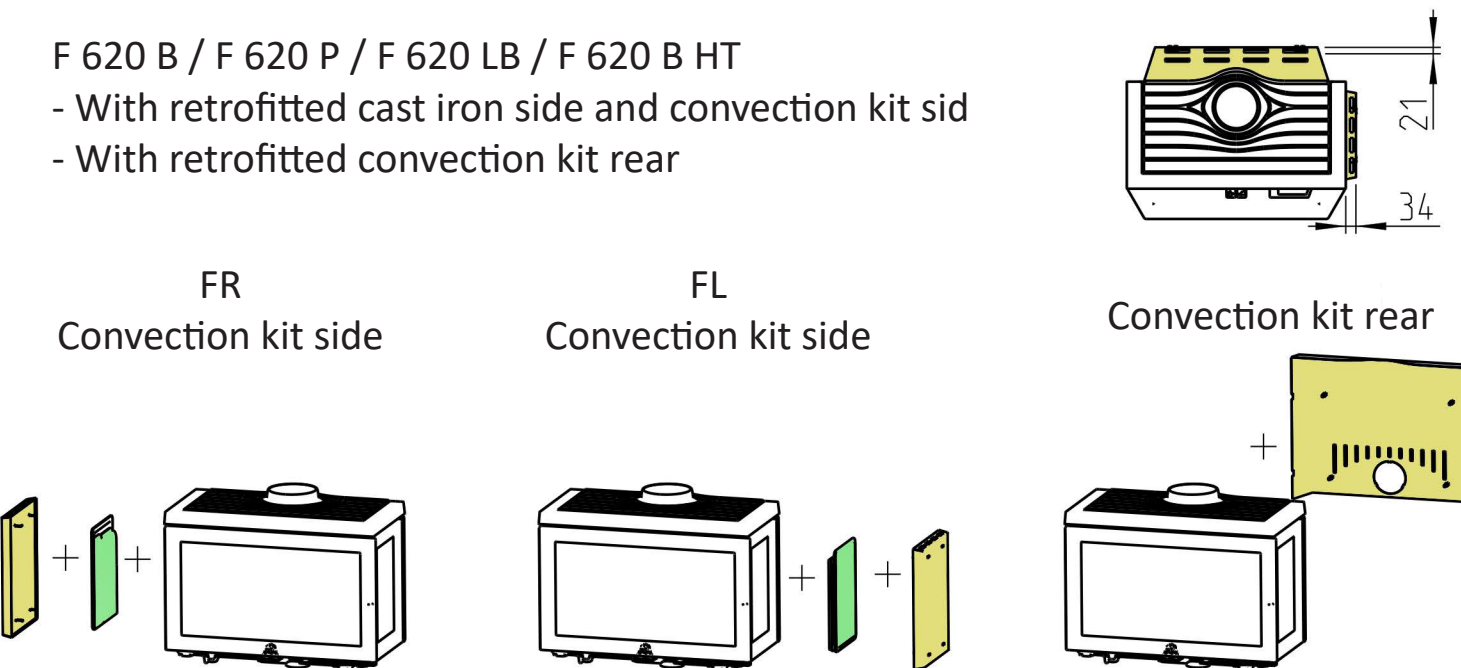
FR

FL

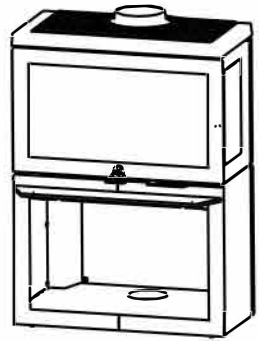
Convection kit rear

Convection kit side

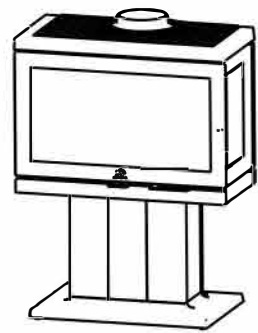
Convection kit side



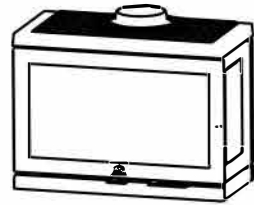
F 620 B



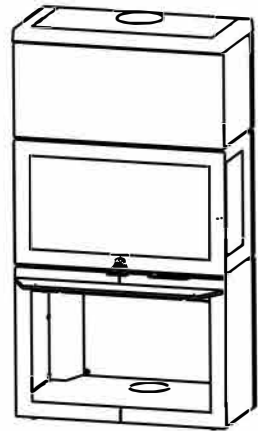
F 620 P



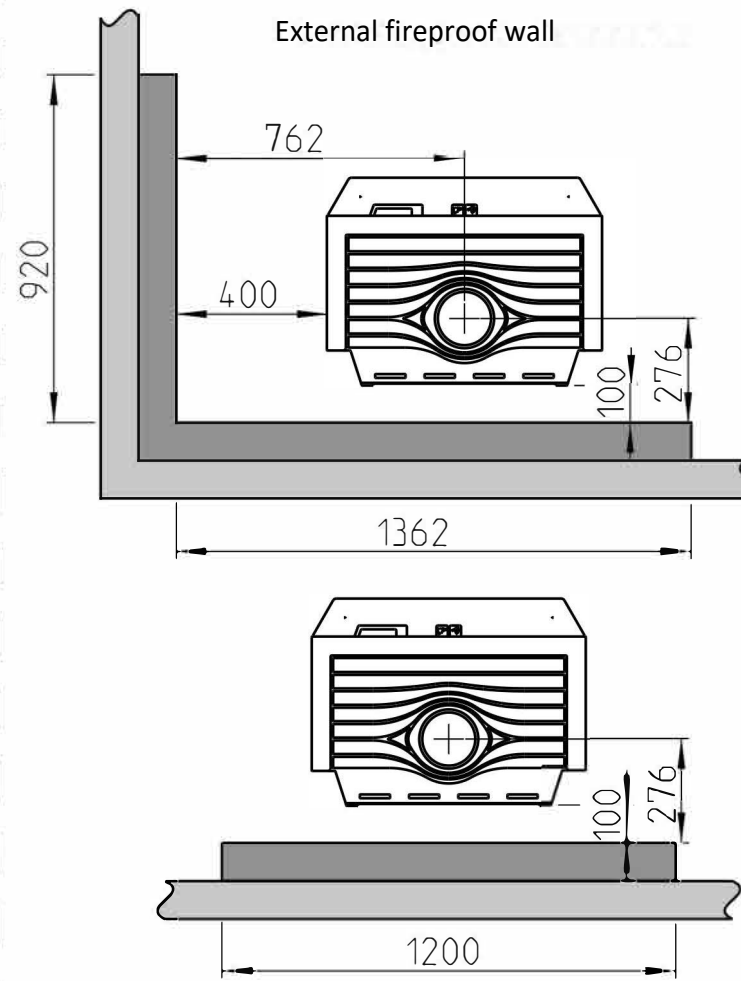
F 620 LB



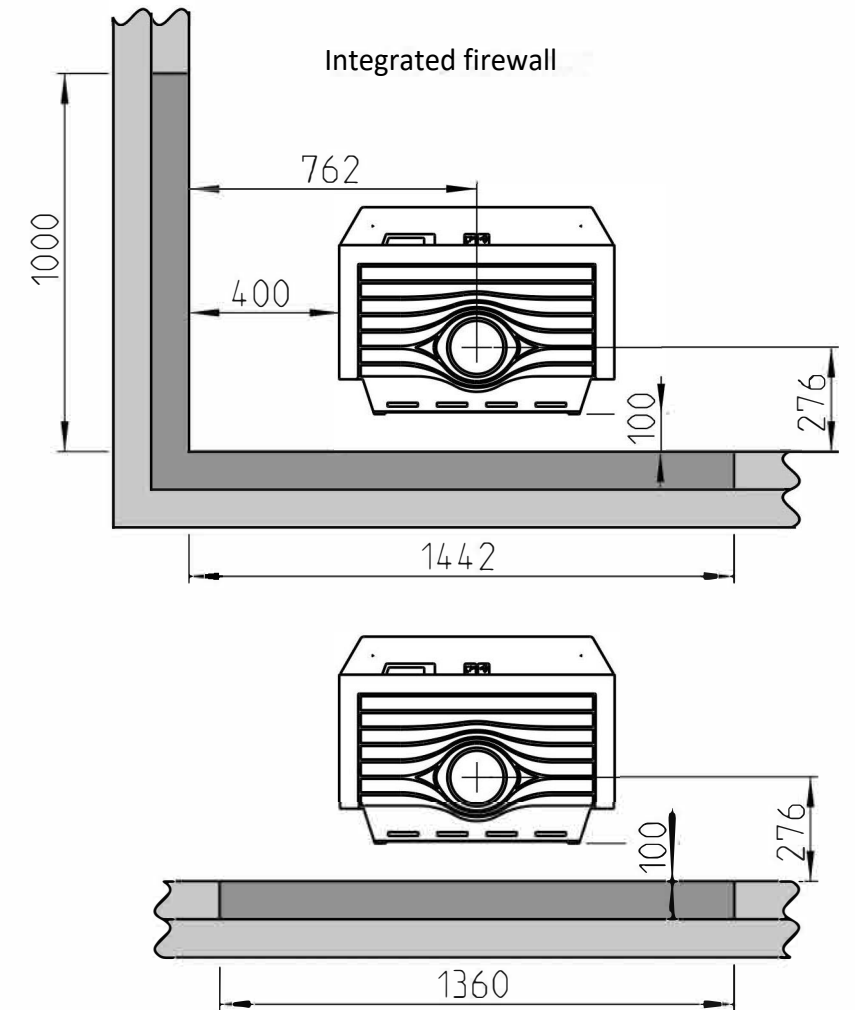
F 620 B HT



External fireproof wall

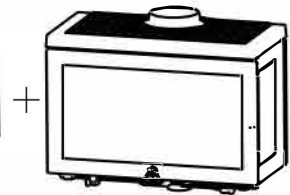


Integrated firewall

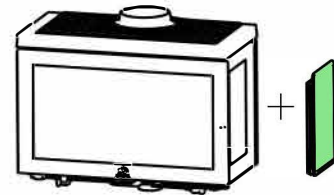


F 620 B / F 620 P / F 620 LB / F 620 HT
 - With retrofitted cast iron side

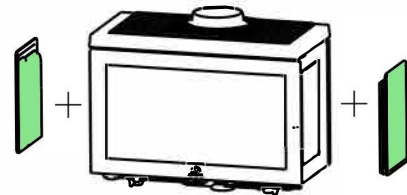
FR



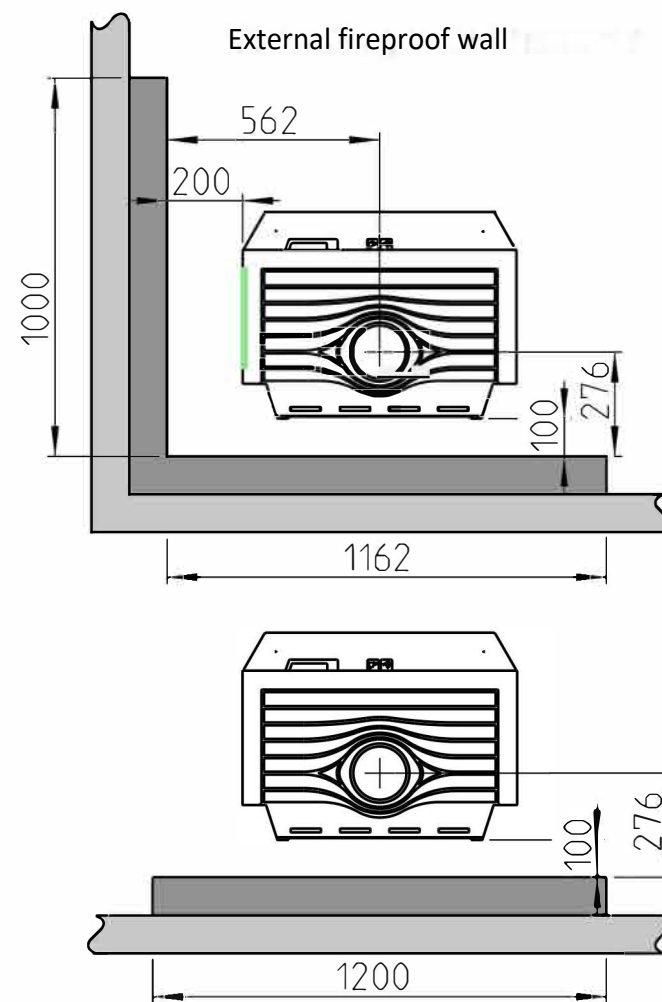
FL



F



External fireproof wall



Integrated firewall

